

GARAGE DOOR OPERATOR
NOW WITH SMART FEATURES



we design
we manufacture
we install

NATIONWIDE
SALES & INSTALLATIONS

0800 118 5678

British Owned Manufacturing Company



our operator's key features

The Birkdale door operator is a high-quality garage door opener with several key features.

One of the most notable features of this operator is its **ultra-quiet operation**, which ensures minimal disturbance to your household.

Additionally, the Birkdale sectional door operator is **WiFi compatible**, allowing you to control your garage door from your smartphone or another internet-connected device.

This operator's **effortless installation and programming** make it an ideal choice for homeowners looking for a convenient and hassle-free garage door solution.



SMART OPERATOR



Our garage door opener is designed with convenience in mind.

With optional WiFi connectivity, it offers the easiest way to connect and control your garage door from the comfort of your home.

Whether you're looking to check if the door is closed or open or need to grant access to someone, you can easily do it all through your smartphone.

With remote monitoring, you can keep an eye on your garage from anywhere, giving you peace of mind that your property is always secure.

The days of getting out of your car to open the garage door are over with our innovative garage door opener.



PROGRAMMABLE REMOTES

We supply our Birkdale Smart Sectional Door Opener with two remotes and one wall button as standard. These quality transmitters allow you to open and close your door from a distance quickly. Additionally, the four buttons in the handset can be individually programmed, giving you complete control and flexibility over the operation of your garage door. The wall button allows an easy way to control your garage door from the inside of your garage.

EXTRAS



USB WIFI DEVICE

You can remotely control and monitor your garage door using a smartphone.



WIRELESS KEYPAD

Convenient and safe access to your garage without using a remote or key with four channels available.



PHOTOCELL

Provide additional safety in the operation of your garage door.



COMING SOON WiFi CAMERA

Monitor your garage anytime and anywhere.



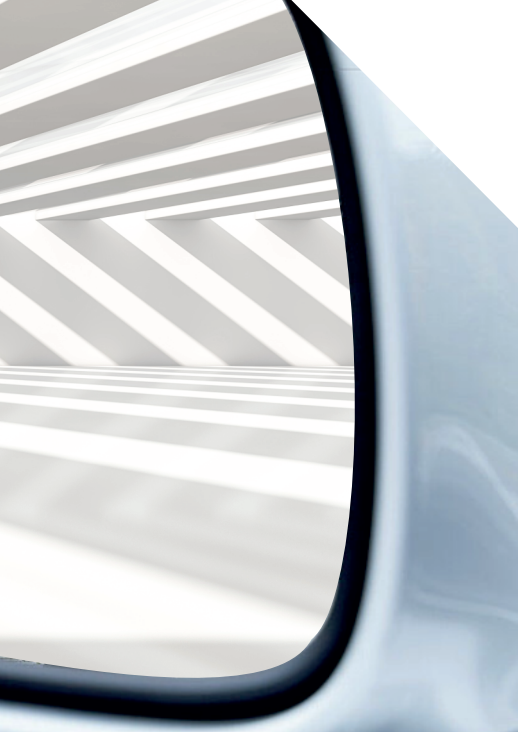
BATTERY Backup

Keep your garage door operating in case of a power cut.



UNIVERSAL RECEIVER

Gives capacity to connect 500 remotes at four available channels.

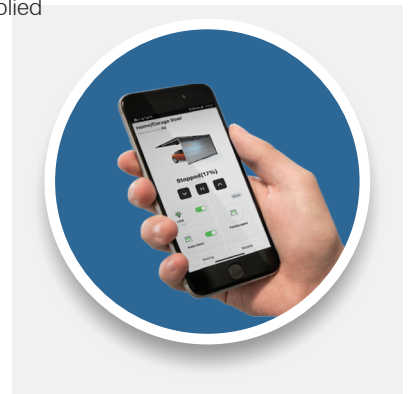
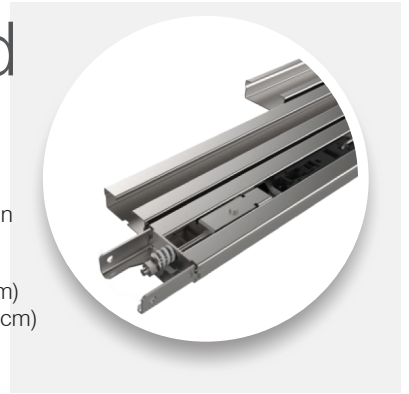


pre-assembled rail...

The pre-assembled belt type rails can be supplied in the following lengths;

- 330cm (1 x 330cm)
- 360cm (1 x 360cm)
- 420cm (1 x 420cm)
- 315cm (3 x 105cm)
- 350cm (3 x 116.6cm)

Chain drive and other rail lengths can also be supplied upon request.



SAFE AND SECURE SET OF BUILT-IN FEATURES



SOFT START AND SOFT STOP features allow you to enjoy the benefits of a garage door opener that operates quietly and smoothly. These features also ensure long-term reliable performance, so you can know that your garage door opener will last for years to come.



OVERLOAD PROTECTION is an important safety feature that stops the opener from operating if overloaded. This protects the opener from damage and prevents accidents, ensuring your garage door remains safe and functional.



AUTOMATIC REVERSE is a must-have safety feature for any garage door opener. This quality ensures the door will automatically reverse if it encounters an obstacle, preventing accidents and damage to your property.



AUTO TIMER closing allows you to automatically set your garage door to close at a pre-determined time. This convenient feature ensures your garage door is always closed when you want it to be, saving you time and energy.

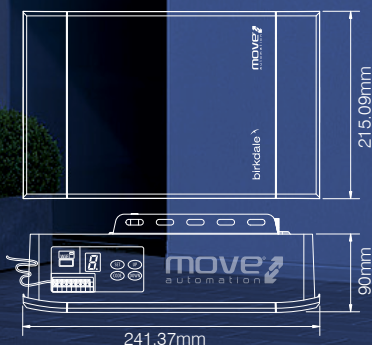


DYNAMIC FORCE SENSOR monitors the force required to open your garage door and adjusts it accordingly. This means the opener will always use the correct strength, ensuring smooth operation and preventing damage to the door or the opener itself.



MANUAL MODE is an essential feature for any garage door opener. In the event of a power failure, you can still open your garage door manually, ensuring you have all access to your garage.

TECHNICAL DATA



Model	600N	1000N	1200N
Input Voltage	230-240V 50/60Hz	230-240V 50/60Hz	230-240V 50/60Hz
Power	24V /100W	24V /140W	24V /140W
Max Pulling Force	600N	1000N	1200N
Opening Speed	160mm/s	160mm/s	160mm/s
Courtesy Light	LED	LED	LED
Radio Frequency	433.92MHz	433.92MHz	433.92MHz
Door Size	10m ²	15m ²	18m ²





see the complete range
scan the code...

Garage Doors | Entrance Doors | Industrial Doors
Awnings & Pergolas | Screens | Home Automation